



BELGIUM

TECHNICAL SPECIFICATION

DC/DC converter CDC 32/24-20

PRODUCT

NP0132

REF.

PT/REV-00-18/03

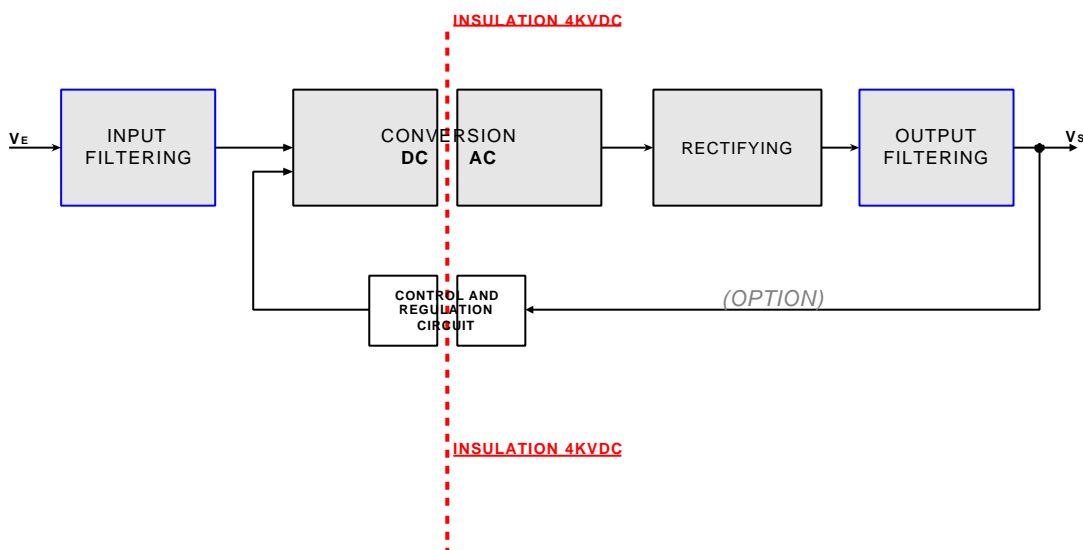
APPLICATIONS

Power supply of loads requiring a regulated or non-regulated voltage of 24VDC.

Note : high galvanic insulation

TECHNICAL CHARACTERISTICS

- Input nominal voltage : 24VDC
- Variation range of the input voltage : 18 to 32VDC
- Output voltage : non-regulated $V_{in} \pm 10\%$ or (option) regulated $24VDC \pm 2\%$
- Max. power : 20W
- Efficiency : > 75%
- Galvanic insulation : 4KVDC
- Operating temperature : $-10^{\circ}C$ to $+70^{\circ}C$
- Accepts current peaks of 3A during 10sec with an interval of de 110sec
- Protection with fuse and protection against overvoltages and input polarity reversal
- MTBF : 250.000h at $35^{\circ}C$ and 16h/day during 340days/year



CASE AND SIZE

EURORACK Card.

Insulating support with fastening for DIN rail.

Connecteur MKDS3/4 connections via terminals and screws with a section of $2.5mm^2$.

LENGTH 170mm
 WIDTH 100mm
 HEIGHT 65mm

